

# 1Z0-055

## Oracle

### *Oracle Database 11g: New Features for 9i OCPs*

*OfficialCerts.com is a reputable IT certification examination guide, study guides and audio exam provider. We ensure that you pass your 1Z0-055 exam in first attempt and also get high scores to acquire Oracle certification.*

*If you use OfficialCerts 1Z0-055 Certification questions and answers, you will experience actual 1Z0-055 exam questions/answers. We know exactly what is needed and have all the exam preparation material required to pass the exam. Our Oracle exam prep covers over 95% of the questions and answers that may be appeared in your 1Z0-055 exam. Every point from pass4sure 1Z0-055 PDF, 1Z0-055 review will help you take Oracle 1Z0-055 exam much easier and become Oracle certified.*

*Here's what you can expect from the OfficialCerts Oracle 1Z0-055 course:*

- \* Up-to-Date Oracle 1Z0-055 questions as experienced in the real exam.*
- \* 100% correct Oracle 1Z0-055 answers you simply can't find in other 1Z0-055 courses.*
- \* All of our tests are easy to download. Your file will be saved as a 1Z0-055 PDF.*
- \* Oracle 1Z0-055 brain dump free content featuring the real 1Z0-055 test questions.*

*Oracle 1Z0-055 certification exam is of core importance both in your Professional life and Oracle certification path. With Oracle certification you can get a good job easily in the market and get on your path for success. Professionals who passed Oracle 1Z0-055 exam training are an absolute favorite in the industry. You will pass Oracle 1Z0-055 certification test and career opportunities will be open for you.*

<http://www.studentidisinistra.org/?testid=exams.asp?examcode=1Z0-055>



**Question: 1**

Examine the following PL/SQL block:

```
SET SERVEROUTPUT ON
```

```
SET LONG 10000
```

```
DECLARE report clob;
```

```
BEGIN report := DBMS_SPM.EVOLVE_SQL_PLAN_BASELINE();
```

```
DBMS_OUTPUT.PUT_LINE(report);
```

```
END;
```

Which statement describes the effect of the execution of the above PL/SQL block?

- A. The plan baselines are verified with the SQL profiles.
- B. All fixed plan baselines are converted into nonfixed plan baselines.
- C. All the nonaccepted SQL profiles are accepted into the plan baseline.
- D. The nonaccepted plans in the SQL Management Base are verified with the existing plan baselines.

**Answer: D**

**Question: 2**

View the Exhibit to examine the details for an incident.

**Incident Details: 3937**

Page Refreshed August 21, 2007 7:46:17 PM GMT+07:00

**Summary**

Problem Key	<a href="#">ORA:7445</a> [qcstda)+515] [SIGSEGV] [ADDR:0x0] [PC:0x9289729] [Address not mapped to object]	Data Dumped	<b>Yes</b>
Status	<b>Ready</b>	ECID	<b>Unknown</b>
Active	<b>Yes</b>	Correlation Keys	<b>SID = 120.57367, Procid = 42.11</b>
Timestamp	<b>August 20, 2007 9:14:39 PM GMT+07:00</b>	Purge Date	<b>PQ = (0, 1187619276), Client Procid = oracle@edt4r6p1.us.oracle.com (TNS V1-V3).9007_3086911168 September 9, 2007 2:17:26 PM GMT+07:00 (Purging Enabled) <input type="button" value="Disable Purging"/></b>
Impact	<b>Unknown</b>		
Source	<b>System Generated</b>		

**Application Information**

SQL ID	<b>8gmyvkh84w3xj</b>
SQL Text	<b>select * from scott.tabjfv</b>
User	<b>SYS</b>
Module	<b>sqlplus@edt4r6p1.us.oracle.com (TNS V1-V3)</b>
Action	<b>Unknown</b>

**Dump Files** [Checker Findings](#) [Additional Diagnostics](#)

File Name	Size (MB)	Timestamp	Path	View Contents
orcl_ora_9007_i3937.trc	2.71	August 20, 2007 9:15:14 PM GMT+07:00	/u01/app/oracle/diag/rdbms/orcl/orcl/incident/incdir_3937	
orcl_ora_9007.trc	0	August 20, 2007 9:15:14 PM GMT+07:00	/u01/app/oracle/diag/rdbms/orcl/orcl/trace	

Which statement is true regarding the status of the incident?

- A. The DBA is working on the incident and prefers that the incident be kept in the ADR.
- B. The incident is now in the Done state and the ADR can select the incident to be purged.
- C. The incident has been newly created and is in the process of collecting diagnostic information.
- D. The data collection for the incident is complete and the incident can be packaged and sent to Oracle Support.

**Answer: D**

**Question: 3**

You want to convert your existing non-ASM files to ASM files for the database PROD. Which method or command would you use to accomplish this task?

- A. Data Pump Export and Import
- B. conventional export and import
- C. the CONVERT command of RMAN
- D. the BACKUP AS COPY.. Command of RMAN

**Answer: D**

**Question: 4**

Which are the prerequisites for performing flashback transactions on your database? (Choose all that apply.)

- A. Supplemental log must be enabled.
- B. Supplemental log must be enabled for the primary key.
- C. Undo retention guarantee for the database must be configured.
- D. Execute permission on the DBMS\_FLASHBACK package must be granted to the user.

**Answer: A, B, D**

**Question: 5**

Which method would you use to undo the changes made by a particular transaction without affecting the changes made by other transactions?

- A. point-in-time recovery
- B. execute the ROLLBACK command with transaction number
- C. flashback the database to before the transaction was committed
- D. Determine all the necessary undo SQL statements from FLASHBACK\_TRANSACTION\_QUERY and use them for recovery

**Answer: D**

**Question: 6**

When executing a SQL workload, you choose to generate execution plans only, without collecting execution statistics. Which two statements describe the implications of this? (Choose two.)

- A. It produces less accurate results of the comparison analysis.
- B. It automatically calls the SQL Tuning Advisor for recommendations.
- C. It shortens the time of execution and reduces the impact on system resources.
- D. Only the changes in the execution plan, and not performance regression, are detected.

**Answer: A, C**

**Question: 7**

While deploying a new application module, the software vendor ships the application software along with appropriate SQL plan baselines for the new SQLs being introduced. Which two statements describe the consequences? (Choose two.)

- A. The plan baselines can be evolved over time to produce better performance.

- B. The newly generated plans are directly placed into the SQL plan baseline without being verified.
- C. The new SQL statements initially run with the plans that are known to produce good performance under standard test configuration.
- D. The optimizer does not generate new plans for the SQL statements for which the SQL plan baseline has been imported.

**Answer: A, C**

**Question: 8**

In your database, the RESULT\_CACHE\_MODE parameter has been set to MANUAL in the initialization parameter file. You issued the following command:

```
SQL>SELECT /*+ RESULT_CACHE */ sale_category, sum(sale_amt)
FROM sales
GROUP BY sale_category;
```

Where would the result of this query be stored?

- A. PGA
- B. large pool
- C. shared pool
- D. database buffer cache

**Answer: C**

**Question: 9**

Identify the activities performed as part of the Automatic SQL Tuning process in the maintenance window? (Choose all that apply.)

- A. generating the SQL profile
- B. testing and accepting the SQL profile
- C. generating a list of candidate SQLs for tuning
- D. adding tuned SQL plans into the SQL plan baseline
- E. tuning each SQL statement in the order of importance
- F. generating baselines that include candidate SQL statement for tuning

**Answer: A, B, C, E**

**Question: 10**

You performed an incomplete recovery and opened the database with the RESETLOGS option. The LOG\_ARCHIVE\_FORMAT parameter is set to 'ora\_%t\_%s\_%r.log'.

Which statement regarding the archived redo log files, created in an earlier incarnation of the database, is true?

- A. The archived redo log files will be overwritten.
- B. The archived redo log files are deleted automatically.
- C. The archived redo log files should be moved to some other location.
- D. The archived redo log files are still maintained because the file names are unique.

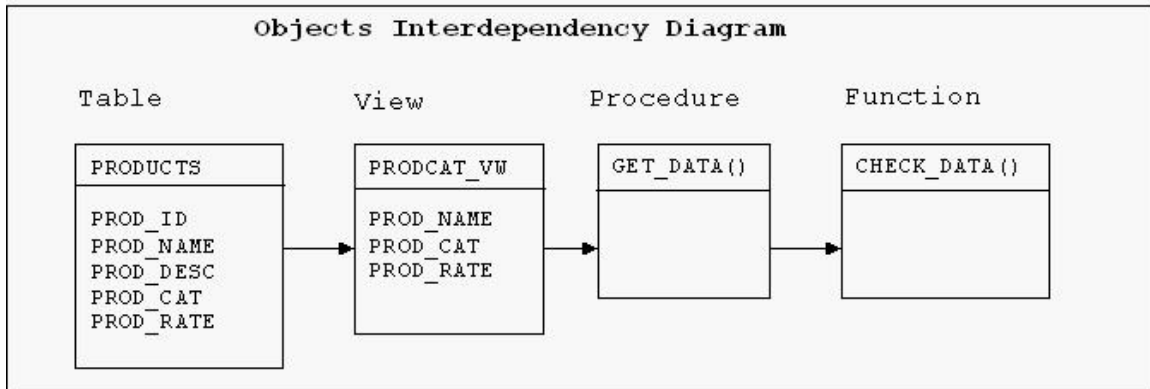
**Answer: D**

**Question: 11**

View the Exhibit for the object interdependency diagram.

The PRODUCTS table is used to create the PRODCAT\_VW view.  
PRODCAT\_VW is used in the GET\_DATA procedure.  
GET\_DATA is called in the CHECK\_DATA function.

A new column PROD\_QTY is added to the PRODUCTS table.



How does this impact the status of the dependent objects?

- A. All dependent objects remain valid.
- B. Only the procedure and function become invalid and must be recompiled.
- C. Only the view becomes invalid and gets automatically revalidated the next time it is used.
- D. Only the procedure and function become invalid and get automatically revalidated the next time they are called.

**Answer: A**

**Question: 12**

Which of the following information will be gathered by the SQL Test Case Builder for the problems pertaining to SQL-related problems? (Choose all that apply.)

- A. ADR diagnostic files
- B. all the optimizer statistics
- C. initialization parameter settings
- D. PL/SQL functions, procedures, and packages
- E. the table and index definitions and actual data

**Answer: B, C, E**

**Question: 13**

Your system has been upgraded from Oracle Database 10g to Oracle Database 11g. You imported SQL Tuning Sets (STS) from the previous version. After changing the OPTIMIZER\_FEATURE\_ENABLE parameter to 10.2.0.4 and running the SQL Performance Analyzer, you observed performance regression for a few SQL statements. What would you do with these SQL statements?

- A. Set OPTIMIZER\_USE\_PLAN\_BASELINES to FALSE to prevent the use of regressed plans.
- B. Capture the plans from the previous version using STS and then load them into the stored outline.

- C. Capture the plans from the previous version using STS and then load them into SQL Management Base (SMB).
- D. Set OPTIMIZER\_CAPTURE\_SQL\_PLAN\_BASELINES to FALSE to prevent the plans from being loaded to the SQL plan baseline.

**Answer: C**

**Question: 14**

Which setting enables the baselines by default in Oracle Database 11g?

- A. setting the STATISTICS\_LEVEL parameter to TYPICAL
- B. adding filters to the Automatic Database Diagnostic Monitor (ADDM)
- C. enabling Automated Maintenance Task using Oracle Enterprise Manager
- D. setting the OPTIMIZER\_USE\_PENDING\_STATISTICS parameter to TRUE

**Answer: A**

**Question: 15**

An online tablespace, TEST\_TBS, is full and you realize that no server-managed tablespace threshold alerts were generated for the TEST\_TBS tablespace. What could be the reason, if the TEST\_TBS tablespace does not include autoextensible data files?

- A. TEST\_TBS is a small file tablespace.
- B. TEST\_TBS is a bigfile tablespace (BFT).
- C. TEST\_TBS is the default temporary tablespace.
- D. TEST\_TBS is a dictionary-managed tablespace.

**Answer: D**

**Question: 16**

While performing the backup of the flash recovery area, you notice that one of the archived redo log files is missing. You have multiple destinations for archived redo log files. What implications does it have on the backup of the flash recovery area?

- A. The backup succeeds but it would be without the missing archived log.
- B. The backup fails because one of the archived redo log files is missing.
- C. The backup succeeds because it fails over to one of the alternative archived redo log destinations.
- D. During backup, you are prompted for the alternative destination for the missing archived redo log file.

**Answer: C**

**Question: 17**

Which two statements are true with respect to the maintenance window? (Choose two.)

- A. A DBA can enable or disable an individual task in all maintenance windows.
- B. A DBA cannot change the duration of the maintenance window after it is created.
- C. In case of a long maintenance window, all Automated Maintenance Tasks are restarted every four hours.
- D. A DBA can control the percentage of the resource allocated to the Automated Maintenance Tasks in each window.

**Answer: A, D**

## OfficialCerts.com Certification Exam Full Version Features;

- Verified answers researched by industry experts.
- Exams **updated** on regular basis.
- Questions, Answers are downloadable in **PDF** format.
- **No authorization** code required to open exam.
- **Portable** anywhere.
- 100% success **Guarantee**.
- **Fast**, helpful support 24x7.

View list of All exams we offer;

<http://www.officialcerts.com/allexams.asp>

To contact our Support;

<http://www.officialcerts.com/support.asp>

View FAQs

<http://www.officialcerts.com/faq.asp>

Download All Exams Samples

<http://www.officialcerts.com/samples.asp>

To purchase Full Version and updated exam;

<http://www.officialcerts.com/allexams.asp>



Shop now using **PayPal**



3COM	CompTIA	Filemaker	IBM	LPI	OMG	Sun
ADOBE	ComputerAssociates	Fortinet	IISFA	McAfee	Oracle	Sybase
APC	CWNP	Foundry	Intel	McData	PMI	Symantec
Apple	DELL	Fujitsu	ISACA	Microsoft	Polycom	TeraData
BEA	ECCouncil	GuidanceSoftware	ISC2	Mile2	RedHat	TIA
BICSI	EMC	HDI	ISEB	NetworkAppliance	Sair	Tibco
CheckPoint	Enterasys	Hitachi	ISM	Network-General	SASInstitute	TruSecure
Cisco	ExamExpress	HP	Juniper	Nokia	SCP	Veritas
Citrix	Exin	Huawei	Legato	Nortel	See-Beyond	Vmware
CIW	ExtremeNetworks	Hyperion	Lotus	Novell	Google	

*You have made the*  
**Right Choice**

You are becoming member of most comprehensive, accurate, highest quality and lowest cost certification resource in the world.

