

E20-825

EMC

Networked Storage-SAN Expert Exam for Technology Architects

Visit: <http://www.pass4sureofficial.com/exams.asp?examcode=E20-825>

Pass4sureofficial.com is a reputable IT certification examination guide, study guides and audio exam provider, we not only ensure that you pass your E20-825 exam in first attempt, but also you can get a high score to acquire EMC certification.

If you use pass4sureofficial E20-825 Certification questions and answers, you will experience actual E20-825 exam questions/answers. We know exactly what is needed and have all the exam preparation material required to pass the exam. Our EMC exam prep covers over 95% of the questions and answers that may be appeared in your E20-825 exam. Every point from pass4sure E20-825 PDF, E20-825 review will help you take EMC E20-825 exam much easier and become EMC certified. All the Questions/Answers are taken from real exams.

Here's what you can expect from the Pass4sureOfficial EMC E20-825 course:

- * Up-to-Date EMC E20-825 questions taken from the real exam.
- * 100% correct EMC E20-825 answers you simply can't find in other E20-825 courses.
- * All of our tests are easy to download. Your file will be saved as a E20-825 PDF.
- * EMC E20-825 brain dump free content featuring the real E20-825 test questions.

EMC E20-825 certification exam is of core importance both in your Professional life and EMC certification path. With EMC certification you can get a good job easily in the market and get on your path for success. Professionals who passed EMC E20-825 exam training are an absolute favorite in the industry. You will pass EMC E20-825 certification test and career opportunities will be open for you.



Question: 1

A company has many low end servers that need to access SAN attached storage. The company does not want to invest any additional money in the servers to make this happen. Each server will have one NIC card that will be used for iSCSI. The customer wants as high availability as possible. Their current SAN infrastructure consists of all MDS directors, with multiple FC and IP cards in each. What feature can be used to make their environment as fault tolerant as possible?

- A. VRRP
- B. Host based multipathing
- C. Ethernet adapter teaming
- D. Zone with SANvergence Manager

Answer: A

Question: 2

The customer manages their SAN environment with ControlCenter. They have installed FCC Agent on Host A and Host B. They have installed the NAS Agent on Host B. Host A was down for one day, during which they lost NAS monitoring and switch management. Why did this happen?

- A. SNMP traps on both agents are set to READ/ ONLY
- B. Both Agents are communicating over the same SNMP Port
- C. SNMP traps on both agents are set to the wrong IP Address
- D. FCC Agent does not initiate a fail over to the Host B, and NAS Agent was inactive

Answer: B

Question: 3

A company wants the most cost effective way to add 100 new hosts. Each host requires approximately 15MBps. All servers must be dual attached. They currently have all MDS 9509 directors, and could add line cards at your recommendation. What solution should you recommend?

- A. Add 2 IP cards with 4 ports each and use iSCSI to connect into the SAN
- B. Add 2 IP cards with 8 ports each and use iSCSI to connect into the SAN
- C. Add 2 fiber channel cards with 32 ports each and fiber attach all the hosts
- D. Add 8 fiber channel cards with 32 ports each and fiber attach all the hosts

Answer: B

Question: 4

A customer has deployed two separate data centers located 100 km apart. Each site has two MDS 9509 configured with 2 VSANs in each director. The directors have IPS modules with FCIP configured between the MDS directors using their existing IP network between sites. NO EISLs currently exist. They want to implement a backup solution where all backups are done to CDL units located at the remote data center location. What is the best solution for this requirement?

- A. Configure EISL between locations and create a new tape VSAN containing CDL ports and all host ports
- B. Configure new EISLs between locations, merge ALL existing fabrics between sites and connect CDL ports to new fabrics
- C. Create a new tape VSAN at each location containing CDL ports and implement IVR for host access to tape resources at the remote location
- D. Configure EISL between locations and create a new tape VSAN containing all CDL ports and implement IVR for backup hosts to access tape resources at local the location

Answer: C

Question: 5

Port Security is enabled at the customer site on all ports of the MDS-series switch. Which statement is true?

- A. All intrusion attempts are reported when accessing switches in a fabric using FTP
- B. Login requests via Telnet are restricted from unauthorized Fibre Channel devices accessed in a fabric
- C. Login requests from unauthorized Fibre Channel devices (Nx ports) and switches (xE ports) are rejected
- D. Login requests from unauthorized users to the fabric are rejected from the network security management in the switch

Answer: C

Question: 6

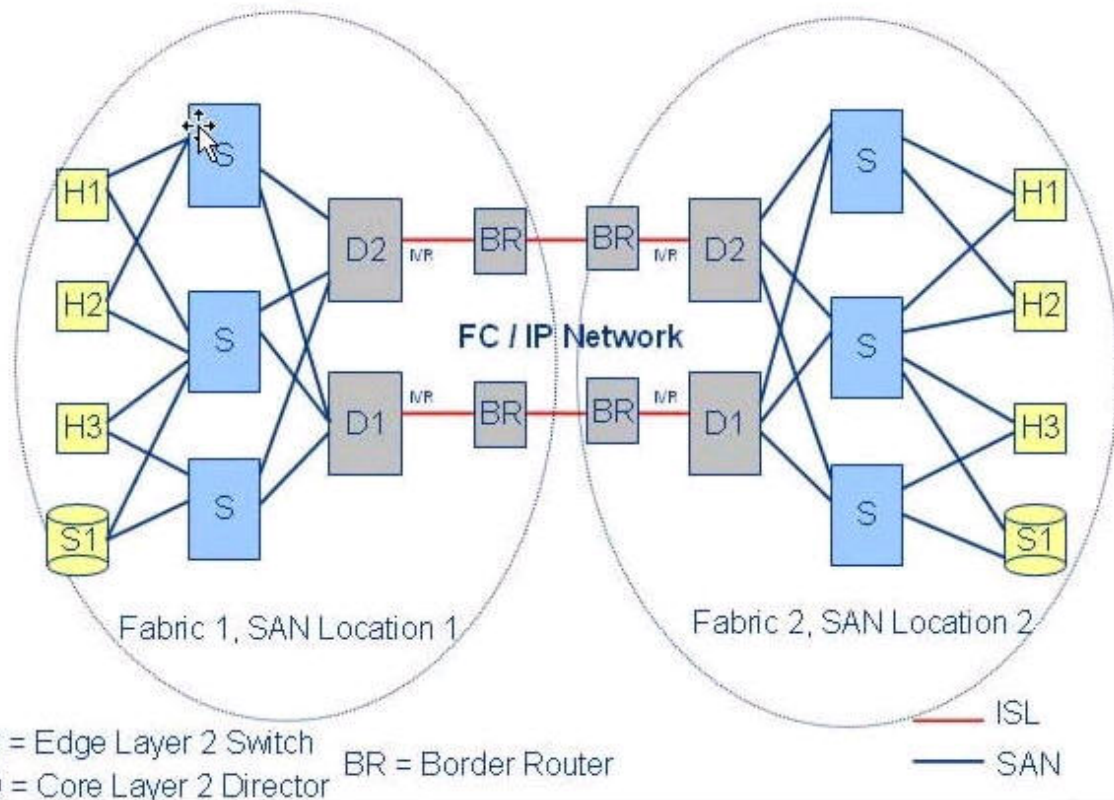
A customer has two separate SAN environments, located 5 km apart, with both DMX and CLARiiON storage. They have a Windows 2000 application that is currently connected to a CX600. They plan to deploy a second server at the remote site and implement a MSCS clustered environment for this application. The solution needs to be disaster tolerant. What would they do as part of this implementation?

- A. Implement MirrorView to replicate data between sites
- B. Implement EMC OpenReplicator to replicate data between sites
- C. Move the server's data to DMX and use SRDF to replicate data between sites
- D. Implement EISLs between sites to provide remote access to the CLARiiONvolumes

Answer: C

Question: 7

As shown in the diagram, two environments are linked via dual FCIP links.



The customer is using Cisco gear as the router and wants to maintain as stateful a connection as possible. Which protocol would you recommend to run between the routers at either side of the environment?

- A. RIP
- B. VRRP
- C. HSRP
- D. VLAN Tagging

Answer: C

Question: 8

Your customer has the CLARiiON environment in the diagram.

Pass4SureOfficial.com Lifetime Membership Features;

- Pass4SureOfficial Lifetime Membership Package includes over **2500** Exams.
- **All** exams Questions and Answers are included in package.
- **All** Audio Guides are included **free** in package.
- **All** Study Guides are included **free** in package.
- **Lifetime** login access.
- Unlimited download, no account expiry, no hidden charges, just one time \$99 payment.
- **Free updates** for Lifetime.
- **Free Download Access** to All new exams added in future.
- Accurate answers with explanations (If applicable).
- Verified answers researched by industry experts.
- Study Material **updated** on regular basis.
- Questions, Answers and Study Guides are downloadable in **PDF** format.
- Audio Exams are downloadable in **MP3** format.
- **No authorization** code required to open exam.
- **Portable** anywhere.
- 100% success **Guarantee**.
- **Fast**, helpful support 24x7.

View list of All exams (Q&A) downloads

<http://www.pass4sureofficial.com/allexams.asp>

View list of All Study Guides (SG) downloads

<http://www.pass4sureofficial.com/study-guides.asp>

View list of All Audio Exams (AE) downloads

<http://www.pass4sureofficial.com/audio-exams.asp>

Download All Exams Samples

<http://www.pass4sureofficial.com/samples.asp>

To purchase \$99 Lifetime Full Access Membership click here

<http://www.pass4sureofficial.com/purchase.asp>

3COM	CompTIA	Filemaker	IBM	LPI	OMG	Sun
ADOBE	ComputerAssociates	Fortinet	IISFA	McAfee	Oracle	Sybase
APC	CWNP	Foundry	Intel	McData	PMI	Symantec
Apple	DELL	Fujitsu	ISACA	Microsoft	Polycom	TeraData
BEA	ECCouncil	GuidanceSoftware	ISC2	Mile2	RedHat	TIA
BICSI	EMC	HDI	ISEB	NetworkAppliance	Sair	Tibco
CheckPoint	Enterasys	Hitachi	ISM	Network-General	SASInstitute	TruSecure
Cisco	ExamExpress	HP	Juniper	Nokia	SCP	Veritas
Citrix	Exin	Huawei	Legato	Nortel	See-Beyond	Vmware
CIW	ExtremeNetworks	Hyperion	Lotus	Novell	SNIA	

