

HP0-045

HP

Supporting the ESL E-Series Libraries

Visit: <http://www.pass4sureofficial.com/exams.asp?examcode=HP0-045>

Pass4sureofficial.com is a reputable IT certification examination guide, study guides and audio exam provider, we not only ensure that you pass your HP0-045 exam in first attempt, but also you can get a high score to acquire HP certification.

If you use pass4sureofficial HP0-045 Certification questions and answers, you will experience actual HP0-045 exam questions/answers. We know exactly what is needed and have all the exam preparation material required to pass the exam. Our HP exam prep covers over 95% of the questions and answers that may be appeared in your HP0-045 exam. Every point from pass4sure HP0-045 PDF, HP0-045 review will help you take HP HP0-045 exam much easier and become HP certified. All the Questions/Answers are taken from real exams.

Here's what you can expect from the Pass4sureOfficial HP HP0-045 course:

- * Up-to-Date HP HP0-045 questions taken from the real exam.
- * 100% correct HP HP0-045 answers you simply can't find in other HP0-045 courses.
- * All of our tests are easy to download. Your file will be saved as a HP0-045 PDF.
- * HP HP0-045 brain dump free content featuring the real HP0-045 test questions.

HP HP0-045 certification exam is of core importance both in your Professional life and HP certification path. With HP certification you can get a good job easily in the market and get on your path for success. Professionals who passed HP HP0-045 exam training are an absolute favorite in the industry. You will pass HP HP0-045 certification test and career opportunities will be open for you.



Question: 1

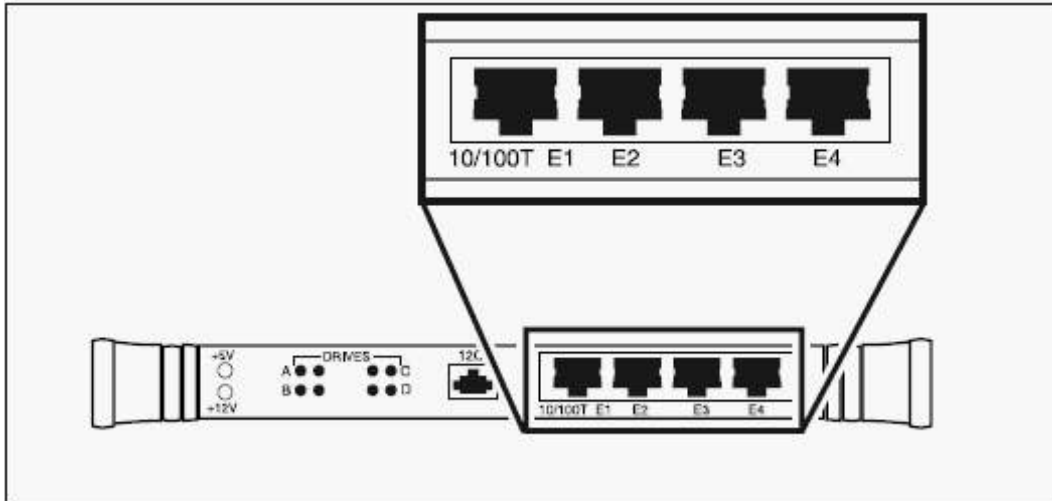
What is required to access the Advanced Secure Manager features in Command View ESL?

- A. the appropriate license key
- B. valid user access permissions
- C. a special administrator password
- D. a suitable advanced user account

Answer: A

Question: 2

Which component is connected to port E1 of the cluster controller if it is in drive cluster 0?



- A. cabinet controller
- B. interface controller
- C. lower cluster controller
- D. Interface Manager card

Answer: A

Question: 3

What does the OCP display when a library hangs because there are more than one hundred unlabeled tape cartridges in the library?

- A. Error 22
- B. Please wait
- C. Going on line
- D. Inventory failure

Answer: C

Question: 4

Which tape library component (used to carry data cartridges to a secondary cabinet) is shown on the figure?



Pass4SureOfficial.com Lifetime Membership Features;

- Pass4SureOfficial Lifetime Membership Package includes over **2500** Exams.
- **All** exams Questions and Answers are included in package.
- **All** Audio Guides are included **free** in package.
- **All** Study Guides are included **free** in package.
- **Lifetime** login access.
- Unlimited download, no account expiry, no hidden charges, just one time \$99 payment.
- **Free updates** for Lifetime.
- **Free Download Access** to All new exams added in future.
- Accurate answers with explanations (If applicable).
- Verified answers researched by industry experts.
- Study Material **updated** on regular basis.
- Questions, Answers and Study Guides are downloadable in **PDF** format.
- Audio Exams are downloadable in **MP3** format.
- **No authorization** code required to open exam.
- **Portable** anywhere.
- 100% success **Guarantee**.
- **Fast**, helpful support 24x7.

View list of All exams (Q&A) downloads

<http://www.pass4sureofficial.com/allexams.asp>

View list of All Study Guides (SG) downloads

<http://www.pass4sureofficial.com/study-guides.asp>

View list of All Audio Exams (AE) downloads

<http://www.pass4sureofficial.com/audio-exams.asp>

Download All Exams Samples

<http://www.pass4sureofficial.com/samples.asp>

To purchase \$99 Lifetime Full Access Membership click here

<http://www.pass4sureofficial.com/purchase.asp>

3COM	CompTIA	Filemaker	IBM	LPI	OMG	Sun
ADOBE	ComputerAssociates	Fortinet	IISFA	McAfee	Oracle	Sybase
APC	CWNP	Foundry	Intel	McData	PMI	Symantec
Apple	DELL	Fujitsu	ISACA	Microsoft	Polycom	TeraData
BEA	ECCouncil	GuidanceSoftware	ISC2	Mile2	RedHat	TIA
BICSI	EMC	HDI	ISEB	NetworkAppliance	Sair	Tibco
CheckPoint	Enterasys	Hitachi	ISM	Network-General	SASInstitute	TruSecure
Cisco	ExamExpress	HP	Juniper	Nokia	SCP	Veritas
Citrix	Exin	Huawei	Legato	Nortel	See-Beyond	Vmware
CIW	ExtremeNetworks	Hyperion	Lotus	Novell	SNIA	

